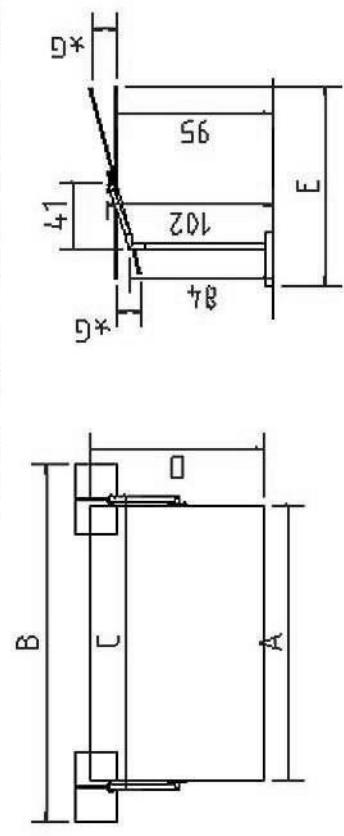


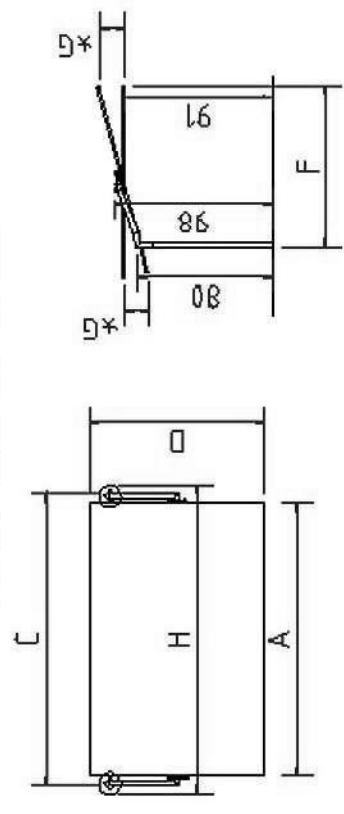
Flexy Commercial FACT SHEET

CANOPY SHAPE AND SIZE	RECTANGULAR, 8 SIZES AVAILABLE
OVERALL HEIGHT	see drawing, page 2
WALKING HEIGHT WHEN OPEN	see drawing, page 2
DISTANCE TO FLOOR WHEN CLOSED	see drawing, page 2
WEIGHT	BETWEEN 135 AND 165 LBS, DEPENDING ON SIZE
MATERIAL	POWDER-COATED ALUMINUM
FRAME COLORS	SILVER, WHITE, PEPPERCORN BROWN
FABRIC	SUNBRELLA, 16 STANDARD COLORS 3 COLORS PHIFERTEX MESH
PACKAGING SIZE	1 BOX 122 X 12 X 12 “ 1 BOX 90 X 6 X 11” 1 BOX 54 X 6 X 11”

FLEXY WITH FREESTANDING BASE



FLEXY WITH GIB OR DMT



* Each tooth in the tilt casting corresponds to an incline change of G inches

TABLE OF MEASUREMENTS IN INCHES, rounded to the NEAREST INCH

NOMINAL FLEXY SIZE	A	B	C	D	E	F	G	H	I	L
10 X 16	192	253	205	118	124	104	13	218	-	-
10 X 14	168	229	181	118	124	104	13	194	-	-
10 X 12	145	206	157	118	124	104	13	170	-	-
10 X 10	122	183	134	118	124	104	13	147	-	-
8 X 16	192	253	205	98	114	94	13	218	-	-
8 X 14	168	229	181	98	114	94	13	194	-	-
8 X 12	145	206	157	98	114	94	13	170	-	-
8 X 10	122	183	134	98	114	94	13	147	-	-

Use this table for general positioning of your FLEXY unit(s), then use the install dimensions on the following page to EXACTLY position your bases.