
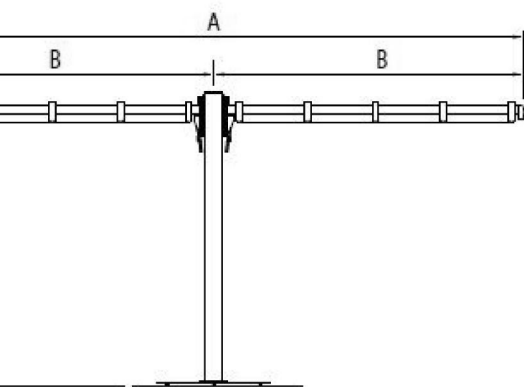


FLEXY TWIN FACT SHEET

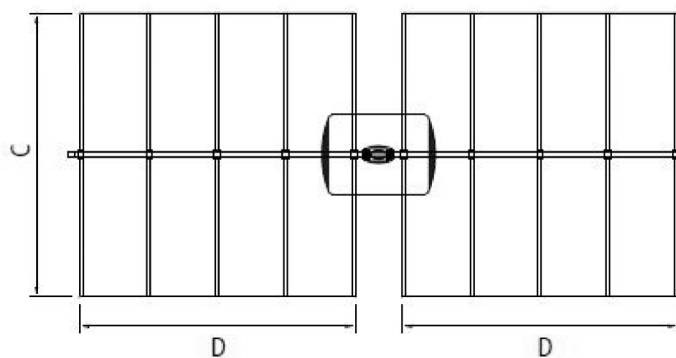
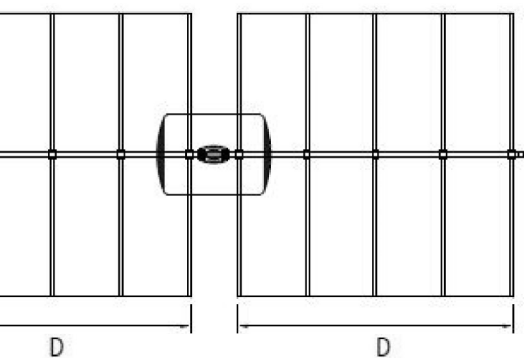
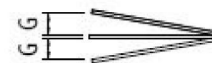
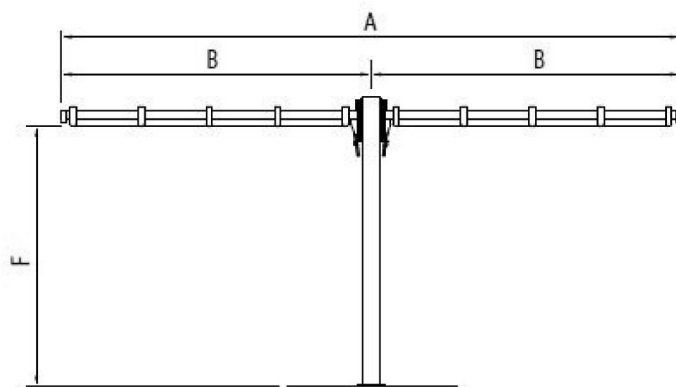
CANOPY SHAPE AND SIZE	2 CANOPIES 8 FT X 8 FT EACH
OVERALL HEIGHT	see drawing, page 2
WALKING HEIGHT WHEN OPEN	see drawing, page 2
DISTANCE TO FLOOR WHEN CLOSED	see drawing, page 2
WEIGHT	150 LBS
MATERIAL	ANODIZED ALUMINUM
WALL THICKNESS	3.5 MM
FRAME COLORS	SILVER
FABRIC	SUNBRELLA, 16 STANDARD COLORS PHIFERTEX MESH 3 COLORS
PACKAGING SIZE	1 BOX, 106 X 12 X 12" 1 BOX, 106 X 14 X 9"

SIZE (cm)		TECHNICAL
250x523		STRUCTURE 
•		Aluminium anodic •

FLEXY TWIN FREESTANDING BASE



FLEXY TWIN BASE STYLO



FLEXY TWIN MEASURE TABLE							
SIZE (cm)	A	B	C	D	E	F	G
250x523	544	272	250	243	232	228	18