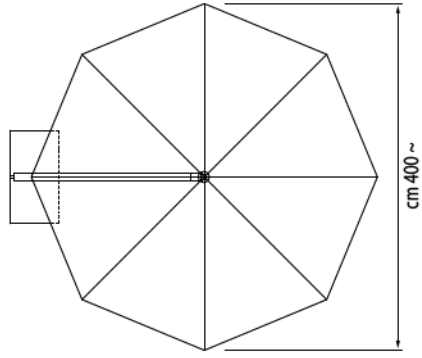


## P20 FACT SHEET

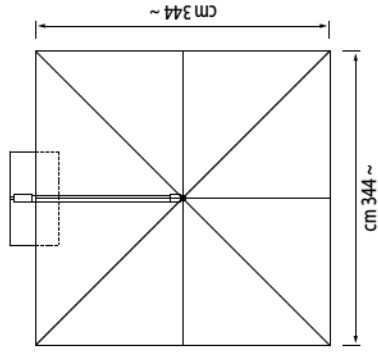
|                               |  |
|-------------------------------|--|
| CANOPY SHAPE AND SIZE         | OCTANGONAL, 13 ft. diameter                        |
| OVERALL HEIGHT                | 10 ft 2 in   |
| WALKING HEIGHT WHEN OPEN      | 7 ft 8 in  |
| DISTANCE TO FLOOR WHEN CLOSED | 19.5 in  |
| WEIGHT                        | 75 LBS   |
| MATERIAL                      | POWDER-COATED ALUMINUM                             |
| WALL THICKNESS                | 3.5 mm   |
| FRAME COLORS                  | PEPPERCORN BROWN, SILVER                           |
| FABRIC                        | SUNBRELLA, 16 STANDARD COLORS                      |
| PACKAGING SIZE                | 2 BOXES<br>1 x 102 X 10 X 10”<br>1 x 98 x 10 x 7 “ |

# CAPRI

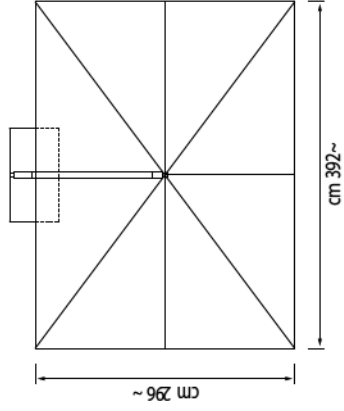
CAPRI 400



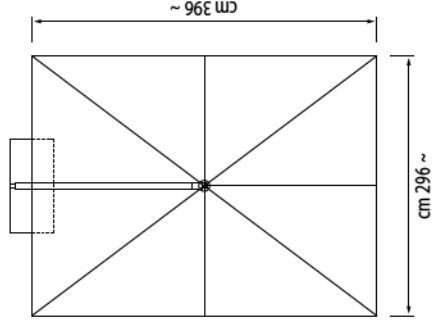
CAPRI 350X350



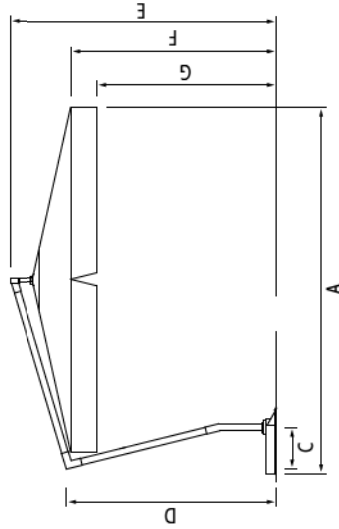
CAPRI 300X400



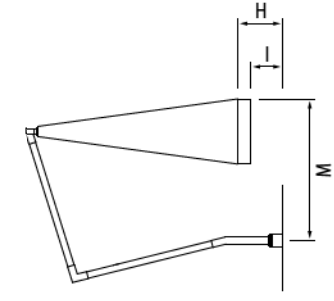
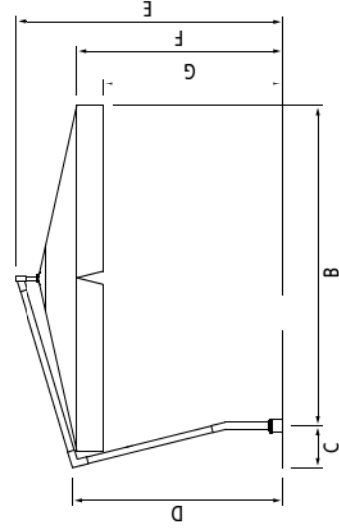
CAPRI 400X300



CAPRI BASE PIASTRA ALU 2



CAPRI BASE STYLO



CAPRI MEASURE TABLE

| SIZE (cm) | A   | B   | C  | D   | E   | F   | G   | H  | I  | L   | M   |
|-----------|-----|-----|----|-----|-----|-----|-----|----|----|-----|-----|
| D 400     | 440 | 386 | 47 | 241 | 310 | 235 | 205 | 50 | 20 | 220 | 166 |
| 350X350   | 357 | 303 | 47 | 241 | 310 | 235 | 205 | 50 | 20 | 220 | 166 |
| 300X400   | 340 | 286 | 47 | 241 | 310 | 235 | 205 | 50 | 20 | 220 | 166 |
| 400X300   | 440 | 386 | 47 | 241 | 310 | 235 | 205 | 50 | 20 | 220 | 166 |